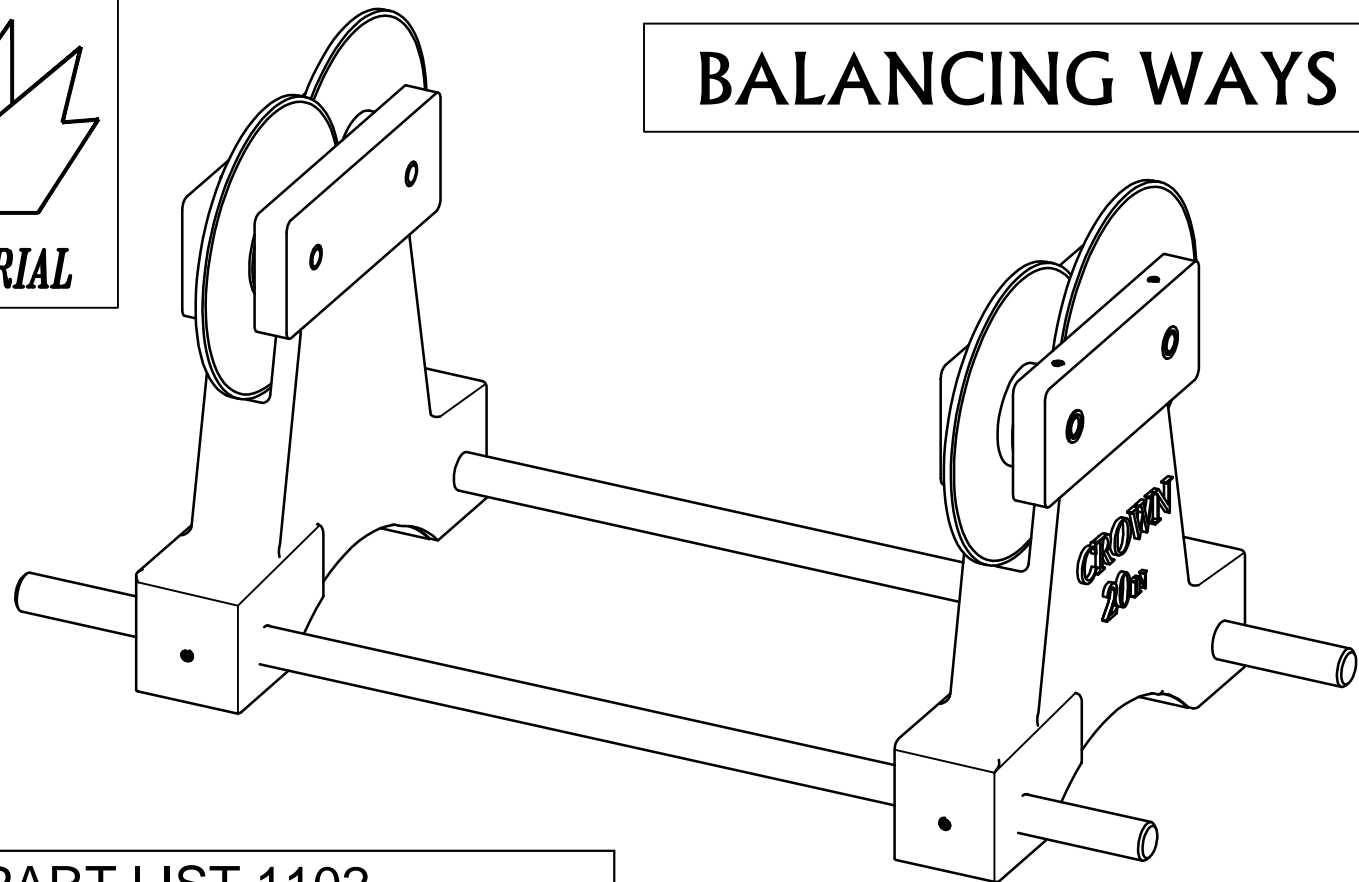
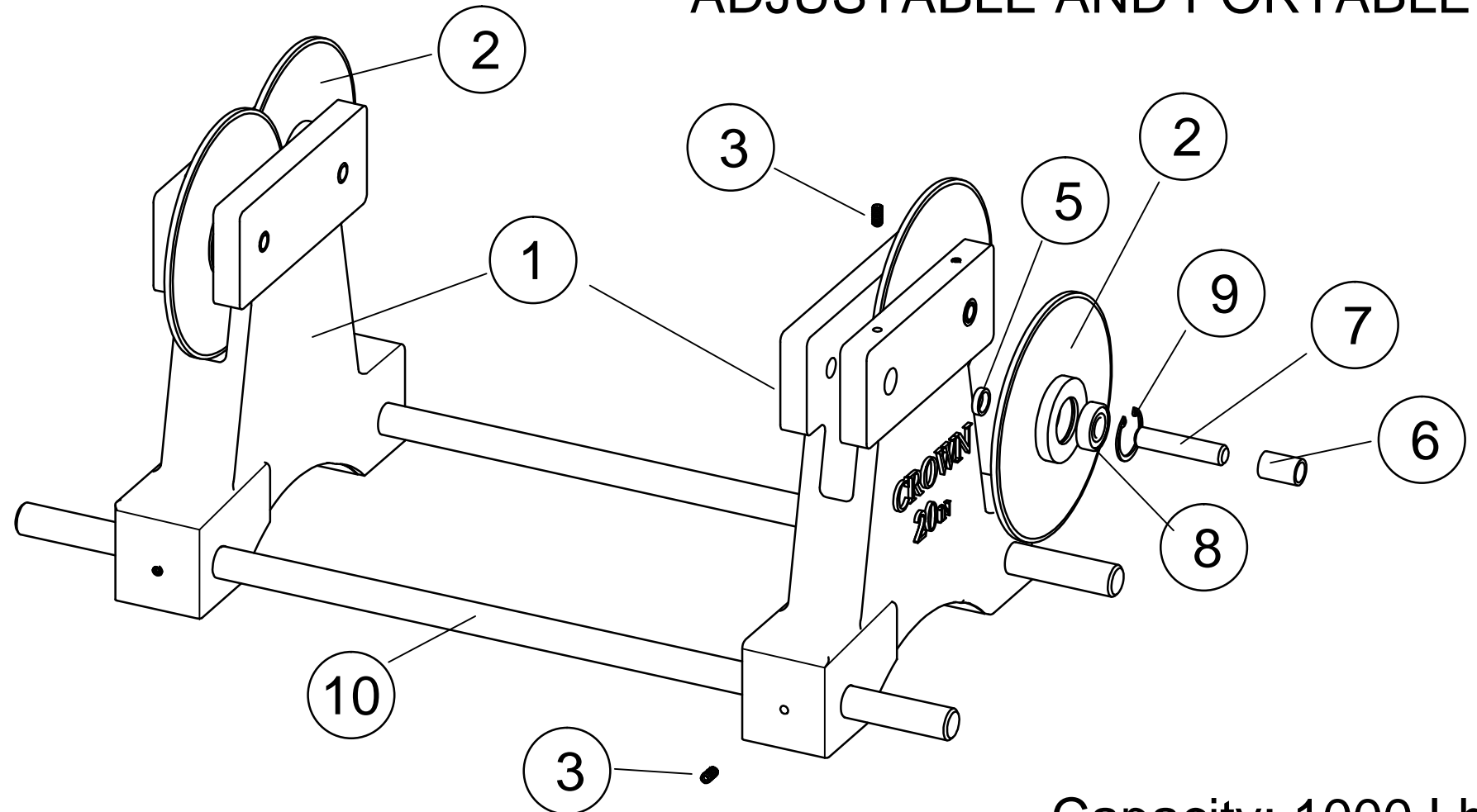


BALANCING WAYS



ADJUSTABLE AND PORTABLE

PART LIST 1102			
ITEM	PART#	DESCRIPTION	QUANTITY
1	808078	Frames	2
2	808079	Wheels	4
3	808015	SetScrews	8
4		N/A	
5	808075	Spacers	4
6	808074	Spacers	4
7	808076	Pin (Axle)	4
8	808071	Ball Bearing	4
9	808072	Retaining Ring	8
10	808077	Support Rod, 3/4"x24"	2



PART LIST
CROWN MODEL 1102

Capacity: 1000 Lbs